



# Magic View Window

Model # 24187-45

**INSTALLER:** Leave these instructions with consumer.  
**CONSUMER:** Retain for future reference.



This Magic View Window is for replacement on Fire Magic grills. Read these instructions completely prior to installing.

1. Ensure the grill is completely cool, the knobs are in the off position, the gas supply to your grill is turned off, the master switch is off, and the power supply is disconnected.
2. From the inside of the oven hood, use a flathead screwdriver to unfasten the nuts and washers that are securing the window in place.
3. From the outside of the oven hood, carefully remove the window bezel and glass.

**Important:** Remove any glass particles and make sure the flange is completely clean prior to proceeding.

4. Orient the new glass window onto the flange, making sure it is centered in the opening. Then place the window bezel over the glass (Fig. 1-1).
5. Loosely install the washers and nuts (Fig. 1-2). **DO NOT** fully tighten.
6. Reference Fig. 1-3 for a suggested pattern to evenly secure the window bezel (view is from inside of hood).

Cycle the suggested tightening pattern 2-3 times until the nuts are fully tightened. The amount of pressure on the glass will be at a safe level once the screwdriver can no longer tighten due to the screws protruding through the nuts.

**Important:** The nuts must be tightened around the window with even pressure. Failure to do so will damage the glass.

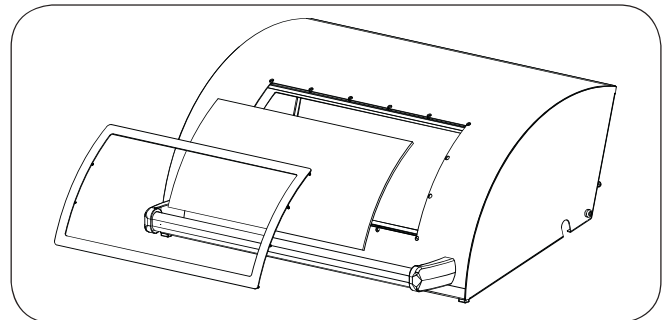


Fig. 1-1 Orientation

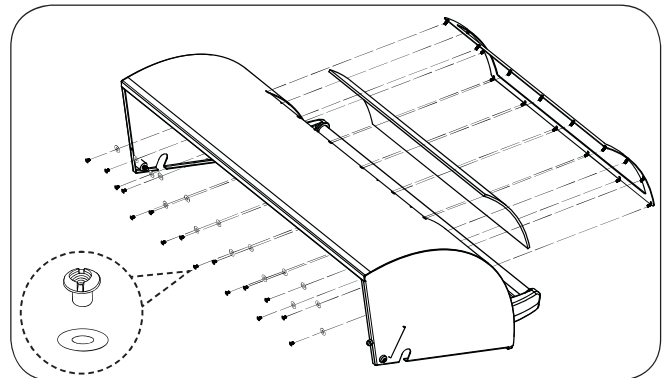


Fig. 1-2 Installation

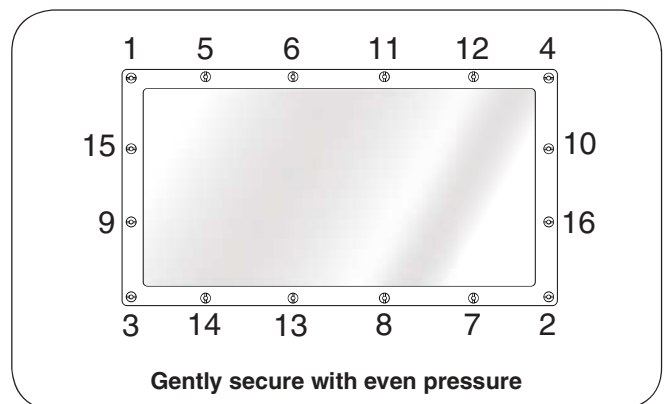


Fig. 1-3 Suggested tightening pattern