



AUTOMATIC OUTDOOR ICE MAKER

Model # 3593



INSTALLATION INSTRUCTIONS AND OWNER'S MANUAL

INSTALLER: Leave these instructions with consumer.
CONSUMER: Retain for future reference.

Be sure the unit is standing upright 24 hours prior to plug-in.

Important: READ THESE INSTRUCTIONS CAREFULLY BEFORE STARTING INSTALLATION OR USE.

ICE MAKER SAFETY

Your safety and the safety of others are very important.

We have provided many important safety messages in this manual and on your appliance. Always read and obey all safety messages.



This is the Safety Alert Symbol. This symbol alerts you to potential hazards that can injure or kill you and others. All safety messages will follow the Safety Alert Symbol and either the words "**DANGER**", "**WARNING**" OR "**CAUTION**".



DANGER

DANGER means that failure to heed this safety statement may result in severe personal injury or death.



WARNING

WARNING means that failure to heed this safety statement may result in extensive product damage, serious personal injury or death.

CAUTION

CAUTION means that failure to heed this safety statement may result in minor or moderate personal injury, or property or equipment damage.

All safety messages will alert you to what the potential hazard is, tell you how to reduce the chance of injury, and let you know what can happen if the instructions are not followed.

IMPORTANT SAFETY INSTRUCTIONS

WARNING: To reduce the risk of fire, electric shock or injury when using your ice maker, follow these basic precautions:

- Plug into grounded 3-prong outlet.
- Do not remove grounding prong.
- Do not use an adapter.
- Do not use an extension cord.
- Disconnect power before cleaning.
- Disconnect power before servicing.
- Replace all panels before operating.
- Use 2 or more people to move & install ice maker.

SAVE THESE INSTRUCTIONS



CONTENTS

GETTING STARTED

ICE MAKER SAFETY.....	1
IMPORTANT SAFEGUARDS.....	3
COMPONENT LOCATIONS.....	6
SPECIFICATIONS.....	7
INSTALLATION REQUIREMENTS.....	8
<i>UNPACKING</i>	8
<i>LOCATION REQUIREMENTS</i>	8
<i>ELECTRICAL REQUIREMENTS</i>	10

INSTALLATION

INSTALLATION.....	11
<i>LEVELING THE ICE MAKER</i>	11
<i>REVERSING THE DOOR SWING</i>	11
<i>WATER SUPPLY</i>	12
<i>DRAIN</i>	13
<i>INSTALLATION TYPES</i>	14

USE, CARE, & SERVICE

OPERATION.....	15
<i>FINAL CHECK LIST BEFORE OPERATION</i>	15
<i>OPERATING METHOD</i>	15
<i>HOW THE MACHINE MAKES ICE</i>	16
<i>HOW THE MACHINE USES THE WATER</i>	17
<i>NORMAL SOUNDS</i>	18
<i>PREPARING THE ICE MAKER FOR LONG STORAGE</i>	18
CLEANING AND MAINTENANCE.....	19
<i>EXTERIOR CLEANING</i>	19
<i>INTERIOR CLEANING</i>	20
<i>CONDENSER CLEANING</i>	20
<i>WATER DISTRIBUTION TUBE CLEANING</i>	21
<i>ICE-MAKING SYSTEM CLEANING</i>	21
<i>CONTROL BOX</i>	23
MAJOR FUNCTIONS.....	25
TROUBLESHOOTING.....	26
WARRANTY.....	28

IMPORTANT SAFEGUARDS



Before the ice maker is used, it must be properly positioned and installed as described in this manual, so read the manual carefully. It is strongly recommended that you have a professional install your new machine. The warranty may be affected or voided by an incorrect installation. To reduce the risk of fire, electrical shock or injury when using the ice maker, follow basic precautions, including the following:

DANGER

- Plug into a grounded 3-prong outlet. Do not remove grounding prong, do not use adapter, and do not use an extension cord.
- It is recommended that a separate circuit, serving only your ice maker, be provided. Use receptacles that cannot be turned off by a switch or pull chain.
- Do not connect or disconnect the electric plug when your hands are wet.
- Never unplug the ice maker by pulling on the power cord. Always grip the plug firmly and pull straight out from the outlet.
- Never clean ice maker parts with flammable fluids. Do not store or use gasoline or other flammable vapors and liquids in the vicinity of this or any other appliance. The fumes can create a fire hazard or explosion.
- Before proceeding with cleaning and maintenance operations, make sure the power line of the unit is disconnected and the water line is shut off. (EXCEPTION: When cleaning the machine's ice making and water systems - see ICE-MAKING SYSTEM CLEANING section).
- Before operating, put all panels back into place.
- Never allow children to operate, play with or crawl inside the ice maker.
- Do not touch the evaporator by hand when the machine is operating.
- Unplug the ice maker or disconnect power before cleaning or servicing. Failure to do so can result in electrical shock or death.
- Do not attempt to repair or replace any part of your ice maker unless it is specifically recommended in this manual. All other servicing should be referred to a qualified technician.

IMPORTANT SAFEGUARDS (cont.)

WARNING

- Use two or more people to move and install ice maker. Failure to do so can result in back or other injury.
- To ensure proper ventilation for your ice maker, the front of the unit must be completely unobstructed. Choose a well-ventilated area with temperatures above 45°F (7°C) and below 110°F (43°C).
- The ice maker is designed to be installed in an outdoor kitchen, but must not be placed directly adjacent to a grill or other source of high heat. A minimum clearance of 6" from all sources of high heat must be maintained at all times.
- The ice maker must be installed with all electrical and water connections in accordance with state and local codes. A standard electrical supply (115VAC, 60Hz, 15A), properly grounded in accordance with the National Electrical Code and local codes and ordinances is required.
- Do not kink or pinch the power supply cord between the ice maker and cabinet.
- The fuse (or circuit breaker) size must be 15 amperes or higher.
- It is important for the ice maker to be leveled in order to work properly. You may need to make several adjustments to level it.
- All installations must be in accordance with local plumbing code requirements.
- Make certain that the hoses are not pinched or kinked or damaged during installation.
- Check for leaks after connection.
- Although the unit has been tested at the factory, due to long-term transit and storage, the first batch of cubes must be discarded.
- Remove the packing materials and clean the ice maker before using.
- Turn on the water supply tap before switching on the ice maker. Never turn the water supply tap off when the ice maker is working.
- Except to take ice from the unit, keep the door closed in order to reduce ice melting and to promote proper ice formation.
- If the ice maker will not be used for a long time, before the next use it must be thoroughly cleaned. Follow carefully any instructions provided for cleaning or use of sanitizing solution. Do not leave any solution inside the ice maker after cleaning.
- DO NOT touch the condenser fins. The condenser fins are sharp and can be easily damaged.
- DO NOT use solvent-based cleaning agents or abrasives on the interior. These cleaners may transmit taste to the ice cubes, or damage or discolor the interior.
- The ice machine cleaner contains acids. DO NOT use or mix with any other solvent-based cleaner products. Use rubber gloves to protect hand. Carefully read the material safety instructions on the container of the ice machine cleaner.
- Do not use this apparatus for other than its intended purpose.

IMPORTANT SAFEGUARDS (cont.)

SAVE THESE INSTRUCTIONS

Electrical Connection

Do not, under any circumstances, cut or remove the third (ground) prong from the power cord. For personal safety, this appliance must be properly grounded. The power cord of this appliance is equipped with a 3-prong grounding plug that mates with a standard 3-prong grounding wall outlet to minimize the possibility of electric shock hazard from the appliance. Have the wall outlet and circuit checked by a qualified electrician to make sure the outlet is properly grounded. When a standard 2-prong wall outlet is encountered, it is your responsibility and obligation to have it replaced with a properly grounded 3-prong wall outlet. The ice maker should always be plugged into its own individual electrical outlet which has a voltage rating that matches the rating label on the appliance. This provides the best performance and also prevents overloading house wiring circuits which could cause a fire hazard from overheated wires. Never unplug your ice maker by pulling on the power cord. Always grip the plug firmly and pull straight out from the outlet. Repair or replace immediately all power cords that have become frayed or otherwise damaged. Do not use a cord that shows cracks or abrasion damage along its length or at either end. When moving the ice maker, be careful not to damage the power cord.

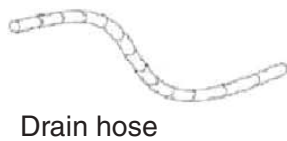
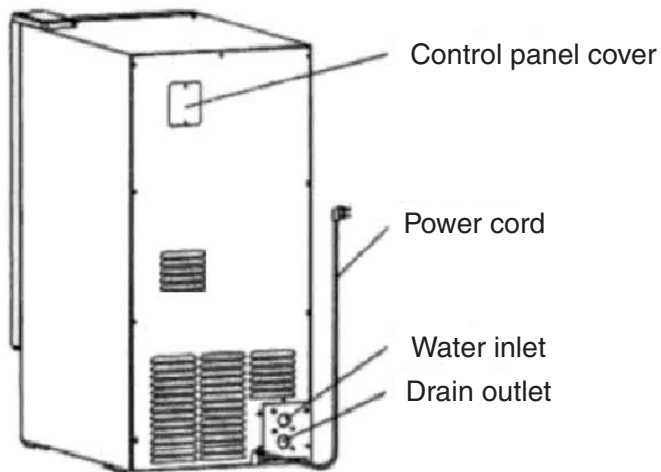
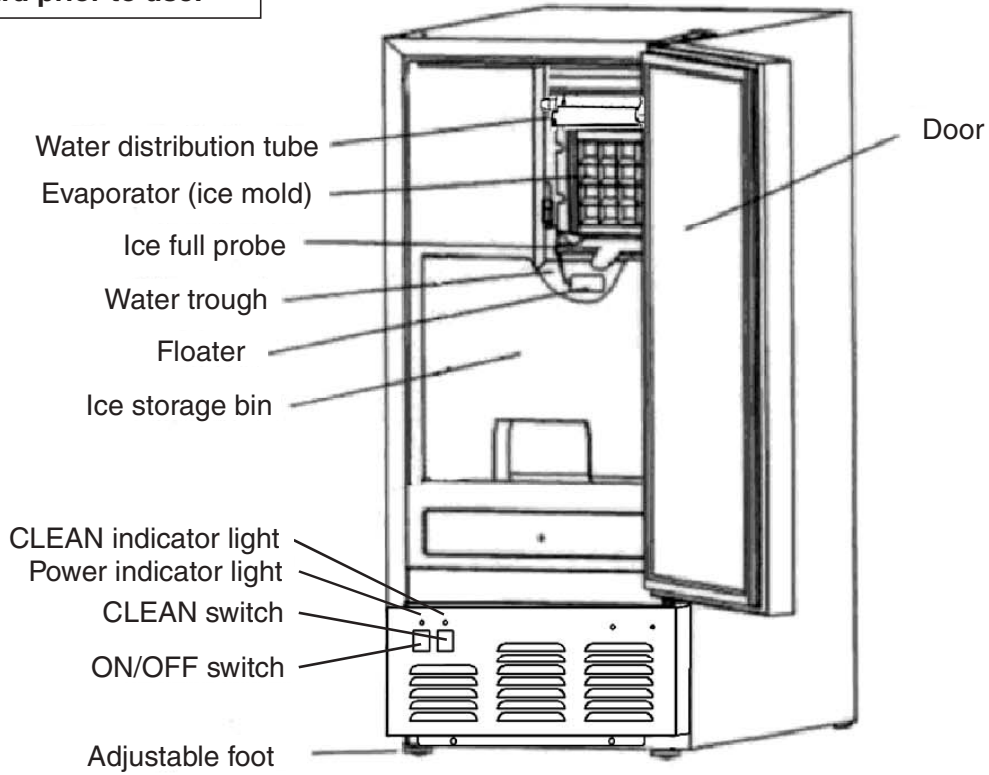
Extension Cord

Because of potential safety hazards under certain conditions, it is strongly recommended that you do not use an extension cord with this ice maker.

COMPONENT LOCATIONS

IMPORTANT

Remove all packing material (including any protective coatings) and discard prior to use.



SPECIFICATIONS

Specification	Unit Dimension	Minimum Clearance/Cutout Dimension	
		Islands with open enclosures	Islands with closed/sealed enclosures
Height	33.5" *	34"	34"
Width	14.6"	15"	16.6" **
Depth	23.6"	27.6"	27.6"
Optional Trim Kit		Allowed ***	Not Allowed

* Unit height includes door hinge on top of unit.

** Installation in a closed/sealed enclosure requires an increased width (due to a 1" clearance on each side of the unit necessary for proper ventilation).

*** If an optional trim kit is used, the cutout dimensions shown above must be used to ensure proper installation.

WARNING: The trim kit is only for installation in islands with open enclosures (for ventilation reasons). DO NOT use a trim kit in closed/sealed enclosures.

Table 1 - Dimensions Table

Specification	Technical Data
Electrical power	115VAC ~ 60Hz
Power consumption	12.2kWh/100 lbs of ice
Ice-making / Ice-harvest rated current	3.0A / 3.6A
Refrigerant	R134a, 3.17 oz.
High/Low Side Pressure	350psig/130psig
Unit weight	88 lbs
Ice-making capacity	50 lbs/day *
Max. ice storage	25 lbs
Ice shape	Cube
Ice cube dimensions	3/4" x 3/4" x 1"

The technical data and performance index listed above should be used for reference only. They are subject to change.

* The actual quantity of ice produced per day can vary with location and water conditions.

Table 2 - Technical Data Table

INSTALLATION REQUIREMENTS

UNPACKING

WARNING

Excessive Weight Hazard

Use two or more people to move and install ice maker.
Failure to do so can result in back or other injury.

Remove Packaging Materials

Important: Do not remove any permanent instruction labels or the data label on your ice maker.

Remove tape and glue from your ice maker before using.

- To remove any remaining tape or glue, rub the area briskly with your thumb. Tape or glue residue can also be easily removed by rubbing a small amount of liquid dish soap over the adhesive with your fingers. Wipe with warm water and dry.
- Do not use sharp instruments, rubbing alcohol, flammable fluids, or abrasive cleaners to remove tape or glue. These products can damage the surface of your ice maker.

Cleaning Before Use

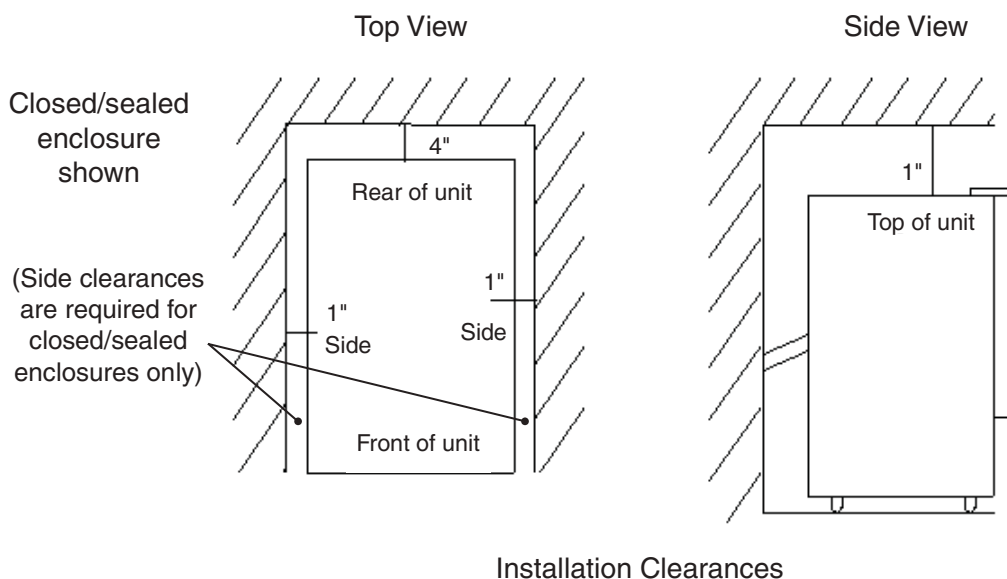
After you remove all of the packaging materials, clean the inside of your ice maker before using it. See "Interior cleaning" in the CLEANING AND MAINTENANCE section.

LOCATION REQUIREMENTS

Follow all specifications in the dimensions table (Table 1) found on the previous page.

Installation in a closed/sealed enclosure requires an increased width (due to a 1" clearance on each side of the unit necessary for proper ventilation). Reference the illustration below.

WARNING: DO NOT use a trim kit in closed/sealed enclosures.



INSTALLATION REQUIREMENTS (cont.)

- This ice maker should be installed by qualified personnel.
- To ensure proper ventilation for your ice maker, the front of the unit must be completely unobstructed.
- When installing the ice maker under a counter, follow the recommended spacing dimensions shown on the previous page. This will allow for proper air circulation. The installation should allow the ice maker to be pulled forward for servicing if necessary.
- Choose a well-ventilated area with temperatures above 45°F (7°C) and below 110°F (43°C).
- The ice maker is designed to be installed in an outdoor kitchen, but must not be placed directly adjacent to a grill or other source of high heat. A minimum clearance of 6" from all sources of high heat must be maintained at all times.
- Installation of the ice maker requires a cold water supply inlet of 1/4" (6.35mm) soft copper tubing with a shut-off valve.
- The ice maker requires a continuous water supply with a minimum pressure of 15 psig and a static pressure not to exceed 80 psig. The temperature of the water feeding into the ice maker should be between 41°F (5°C) and 90°F (32°C) for proper operation.






WARNING

Normal operating ambient temperature should be between 45°F (7°C) to 110°F (43°C). Normal operating water temperature should be between 41°F (5°C) and 90°F (32°C). Operation of the ice maker for extended periods outside of these normal temperature ranges may affect production capacity.

- *A water filter must be used.* A filter, if it is of the proper type, can remove taste and odors as well as particles. Some water is very hard; softened water may result in white, mushy cubes that stick together. De-ionized water is not recommended.
- The ice maker must be installed with all electrical and water connections in accordance with all state and local codes.
- The unit should be located on a firm and level surface. It is important for the ice maker to be leveled in order to work properly. If needed, you can adjust the height of the ice maker adjustable feet. See the LEVELING THE ICE MAKER section.
- A standard electrical supply (115V AC only, 60Hz, 15A), properly grounded in accordance with the National Electrical Code and local codes and ordinances, is required.
- **IMPORTANT:** Do not kink or pinch the power supply cord between the ice maker and wall or cabinet.

INSTALLATION REQUIREMENTS (cont.)

ELECTRICAL REQUIREMENTS

 DANGER 

<p>Electrical Shock Hazard</p> <p>Plug into a grounded 3-prong outlet. Never remove the ground prong from the plug. Never use an adapter. Never use an extension cord. Failure to follow these instructions can result in fire, electrical shock or death.</p>

Before you move your ice maker into its final location, be sure you have the proper electrical connection: A standard electrical supply (115V AC only, 60Hz, 15A), properly grounded in accordance with the National Electrical Code and local codes and ordinances, is required. The ice maker should always be plugged into its own individual electrical outlet.

It is recommended that a separate circuit, serving only your ice maker, be provided. Use receptacles that cannot be turned off by a switch or pull chain.

The fuse (or circuit breaker) size must be 15 amperes or higher.

Recommended Grounding Method

For your personal safety, this appliance must be grounded. It is equipped with a power supply cord having a 3-prong grounding plug. To minimize a possible shock hazard, the cord must be plugged into a mating 3-pronged and grounding-type wall receptacle, grounded in accordance with the National Electrical Code and local codes and ordinances. If a mating wall receptacle is not available, it is the personal responsibility of the customer to have a properly grounded, 3-prong wall receptacle installed by a qualified electrician.

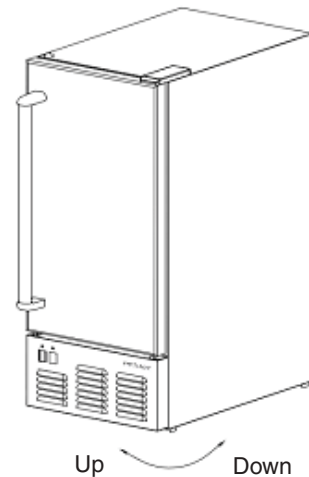
INSTALLATION

LEVELING THE ICE MAKER

It is important for the ice maker to be leveled in order to work properly; otherwise water will not flow as it should through the evaporator (ice mold). Ice production will be less than normal, and operation will be noisy. The ice maker can be raised or lowered by four leveling legs on the bottom of the machine. If you find that the surface is not level. You may need to make several adjustments to level the machine. We recommend using a carpenter's level to check it.

1. Place a carpenter's level on top of the product to see if the ice maker is level from front to back and side to side.
2. Adjust the height of the legs as follows:
 - Turn the leveling legs to the right to lower that side of the ice maker.
 - Turn the leveling legs to the left to raise that side of the ice maker.

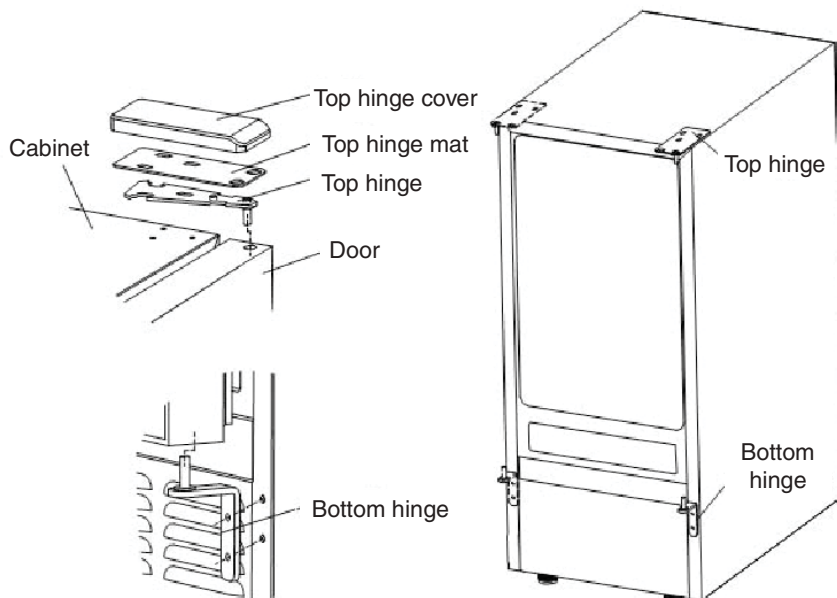
Important: Once you are ready to install it in a cabinet or directly on the floor, you must adjust the legs to level the ice maker.



REVERSING THE DOOR SWING

Tools needed: Flat screwdriver, Phillips screwdriver

Important: Before you begin, unplug the ice maker or disconnect power.



INSTALLATION (cont.)

To Remove Door From Hinges

1. Remove the top hinge cover.
2. Using a Phillips screwdriver, remove the screws, then remove top hinge mat and top hinge. Keep the parts together and set them aside.
3. Lift the door off of the bottom hinge and turn it upside down so that the handle is on the right. Set the door aside.

To Replace Door From Hinges

1. Using a flat screwdriver, remove the plug buttons from the screw holes opposite the door hinges, top and bottom. Set aside.
2. Remove the bottom hinge and place it on the opposite side at the bottom of the door.
3. Position the door on the bottom hinge.
4. Align the door on the bottom hinge and replace the top hinge and top hinge mat.
5. Replace top hinge cover.
6. Push the plug buttons into the original screw holes.

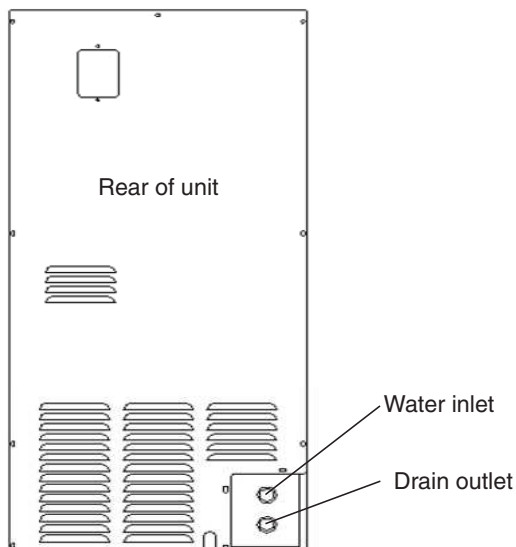
WATER SUPPLY

The water supply should be ready at the point of installation. The water supply pressure should be a minimum of 15 psig with a static pressure not more than 80 psig. (A wall outlet directly behind the ice machine will make installation easier.)

IMPORTANT:

- All installations must be in accordance with local plumbing code requirements. Professional installation is recommended.
- Make certain that the hoses are not pinched or kinked or damaged during installation.
- Check for leaks after connection.

Tools required: 1/2" open-end wrenches, Phillips screwdriver



INSTALLATION (cont.)

Connecting The Water Line

1. Turn off main water supply. Turn on the nearest faucet long enough to clear the line of water.
2. Find a 1/2" to 3/4" vertical cold water pipe near the installation location. The distance should be less than 9 feet. The water supply hose provided with the ice maker is about 9 feet.
3. A shut-off valve must be installed to the main water supply. If the water pipe has a plain piece of copper tubing, attach a 1/4" O.D. compression union to the tubing and remove the nut.
4. Connect nuts of water supply hose to the tap, and connect the other end with the water inlet. Tighten firmly by hand, then one-half turn with wrench.
5. Turn on main water supply and tap. Check for water supply connections leaks. Tighten every connection (including connections at the water inlet).

Important: When you connect the water supply hose and the drain hose, pay attention to the indications of "Water inlet" and "Drain outlet" on the machine.

DRAIN

You must connect the drain line before using the ice maker. (The dual drainage feature of earlier models has been modified to simplify the drainage procedure.) Follow the steps outlined below.

Connecting The Drain Line

Note: If there is a drain line near the ice maker or the ice maker will be used as an outdoor unit, the best choice is to drain water to the drain line through the drain hose provided with ice maker.

1. Locate the floor drain near the ice maker. The distance should be less than 5 feet since the length of the long drain hose provided with the ice maker is about 5 feet.

Find the drain outlet on the back of ice maker, then take off the rear drainage plug. Connect the nut of the drain outlet to the water draining hose, and insert the other side of the hose into the drain line.

Note: The drain hose should never be allowed to hang or loop higher than the bottom of the ice storage bin.

2. All horizontal runs of drain lines must have a fall of 1/4" per foot. An air gap will likely be required between the ice maker drain hose and the drain/waste receptacle. A stand pipe with a trap below it would be acceptable for the drain/waste receptacle. A floor drain is also acceptable.
3. Pour 1 gallon of water into the ice storage bin to check for leaks at all drain connections and at the nut of the drain water hole. Tighten any connections or nuts that leak.

Important: This ice maker is not a freezer. Infrequent drainage will cause a high rate of melting in the ice storage bin.

INSTALLATION (cont.)

INSTALLATION TYPES

This ice maker has been designed for Mobile (free-standing), Enclosed (as under a cabinet) or Built-in (sealed) installation, indoor or outdoor. In any case, there must be adequate air space around the unit for proper ventilation. (See diagrams in the LOCATION REQUIREMENTS section.)

Mobile Installation

A mobile installation will allow you to install the ice maker free-standing in any place you desire provided you have access to a water supply. You must follow the stated instructions for:

- a. Electrical requirements
- b. Water supply
- c. Leveling the ice maker

Enclosed Installation

An enclosed installation will allow you to install the ice maker under a cabinet or inside a kitchen cabinet provided the required clearance space around the ice maker is respected. This installation has the same requirements as a mobile installation.

Built-in Installation

If this method of installation is chosen, it will still be necessary to allow adequate ventilation space around the unit. The following additional items must be observed.

1. Place ice maker in front of installation location. Remove the legs and place the unit flat on the floor or on a platform depending on your installation requirements.
2. The water supply line must be plumbed before connecting to the ice maker.
3. Connect the drain hose.
4. Turn on main water supply and tap. Check for water supply connection leaks. Tighten every connection (including connections at the water inlet).
5. If the electrical outlet for the ice maker is behind the cabinet, plug in the ice maker.
6. Push the ice maker into position.
7. Seal all around the cabinet to the floor with an approved caulking compound.

OPERATION

FINAL CHECK LIST BEFORE OPERATION

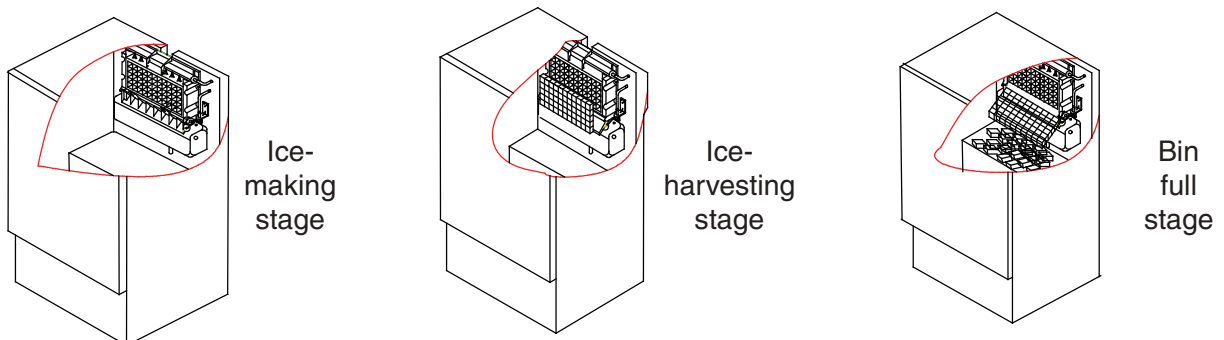
1. Have all packing materials and tape been removed from the interior and exterior of the ice maker?
2. Did you clean the ice storage bin?
3. Have the installation instructions been followed, including connecting the machine to water and electricity?
4. Has the machine been leveled?
5. Is the ice maker in a site where the ambient temperature is between 45°F (7°C) and 110°F (43°C) and the water temperature within 41°F (5°C) and 90°F (32°C) all year round?
6. Has the water supply pressure been checked to ensure a minimum of 15 psig with a static pressure not to exceed 80 psig?
7. Is there a clearance of at least 4" at the rear, 1" at the top, and 1" at the sides for proper air circulation?

Note: Side clearances are only required for closed/sealed enclosures.

8. Has the power supply voltage been checked or tested against the nameplate rating? And has proper grounding been installed for the ice maker?
9. Is the ice maker plugged in?
10. Have you turned on the main water supply and the tap?
11. Have you checked for leaks at all water supply connections?

OPERATING METHOD

1. Turn on the water tap and let the water trough fill. Then set the Power switch on the front panel to the ON position. The ice maker will start working automatically.
2. After three minutes, the machine will automatically go into the ice-making stage, and the sound of flowing water will be heard.



OPERATION (cont.)

3. When the batch of ice has been fully formed, the ice will automatically be harvested to the ice storage bin.
4. When the ice storage bin is full, the sheet of cubes does not fall completely and it holds the ice-full probe open. The machine stops making ice automatically.
5. The unit will start making ice again after the ice cubes are removed. Then the ice-full probe swings back to operating position.

IMPORTANT:

- Although the unit has been tested and cleaned at the factory, due to long-term transit and storage, the first batch of cubes must be discarded.
- Never turn the water supply tap off when the ice maker is working.
- Never touch the evaporator when the machine is running!
- Except to take ice from the unit, keep the door closed to reduce ice melting and insure proper ice formation.

HOW THE MACHINE MAKES ICE

Turn the Power switch to the ON position. The Power indicator light will light and the machine will automatically go into the ice-making stage.

There are two distinct cycles: freeze and harvest.

During the freeze cycle, water flows to the evaporator surface. In the harvest cycle, the ice is released. A complete cycle can take 15 to 40 minutes, depending on temperature and operating conditions.

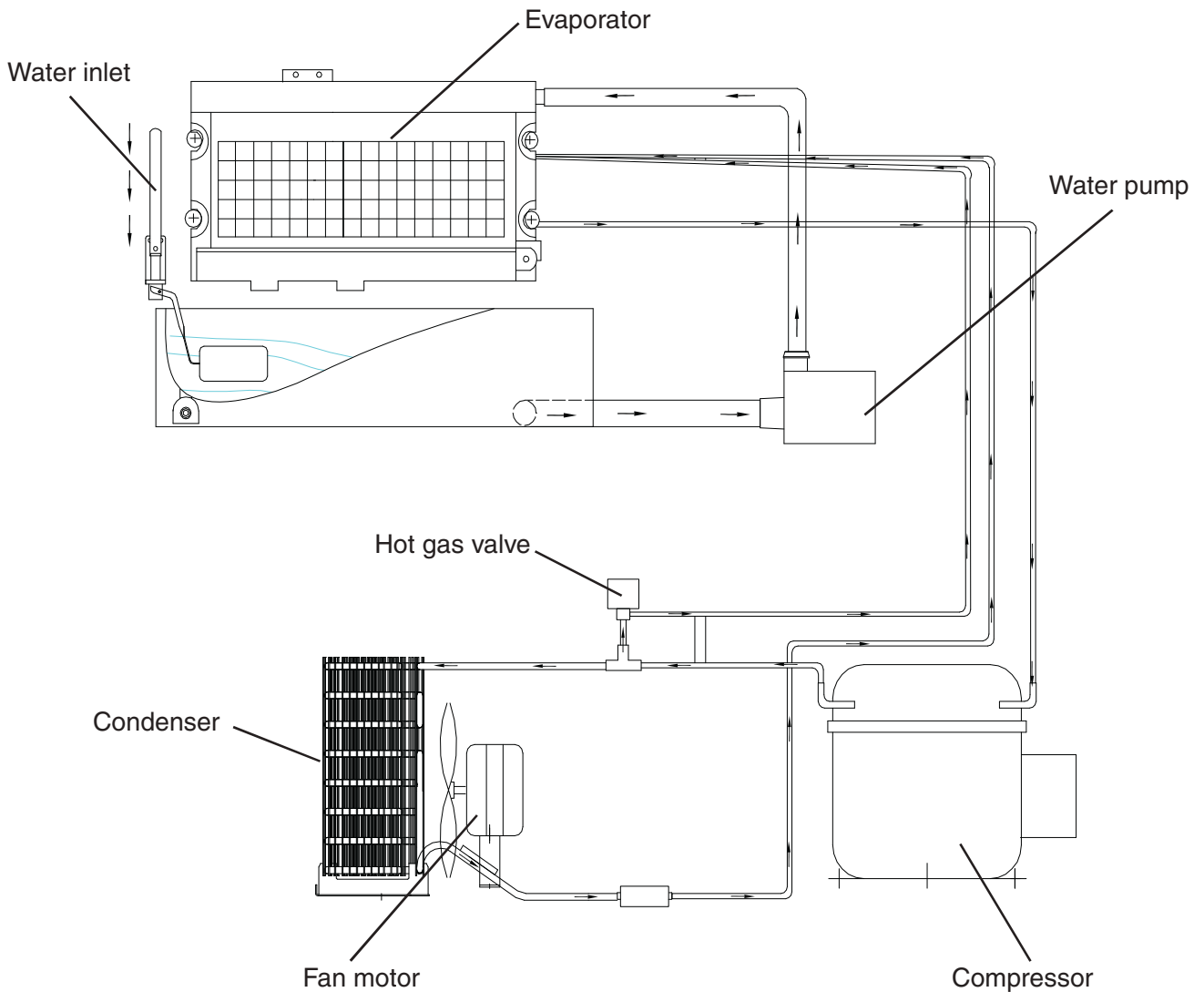
Freeze: During the freeze cycle the compressor is pumping refrigerant, the fan motor is blowing air, and the water pump is circulating water. When the batch of ice has been fully formed, the ice maker stops the freeze cycle and begins the harvest cycle.

Harvest: During the harvest cycle the compressor is still operating, but the water pump has stopped. The hot gas valve opens, diverting hot refrigerant gas into the evaporator. The hot refrigerant gas warms the evaporator, causing the cubes to slide, as a unit, off the evaporator and into the storage bin. The freeze cycle will restart when all the cubes have been harvested.

OPERATION (cont.)

HOW THE MACHINE USES THE WATER

The ice maker begins with a fixed charge of water that is contained in the water trough. As the water flows to the freezing evaporator surface, the portion of water that does not contain mineral impurities will freeze and stick to the ice cube molds. The water containing impurities falls back into the water trough. During the ice-making process, fresh water enters the water trough continuously as the water from the trough freezes continuously on the evaporator.



NORMAL SOUNDS

Your new ice maker may make sounds that are unfamiliar to you. Most of the new sounds are normal. Hard surfaces like the floor and walls can amplify the sounds. The following describes the kinds of sounds that might be new to you and what may be causing them.

- Rattling noises may come from the flow of the refrigerant or the water line. Items stored on top of the ice maker can also make noises.
- The high-efficiency compressor may make a pulsating or high-pitched sound.
- Running water may make a splashing sound.
- You may hear air being forced over the condenser by the condenser fan.
- During the harvest cycle, you may hear the sound of ice cubes falling into the ice storage bin.

PREPARING THE ICE MAKER FOR LONG STORAGE

If the ice maker will not be used for an extended period of time, or is to be moved to another place, it will be necessary to drain the system of water.

1. Shut off the water supply at the main water source.
2. Disconnect the water supply line from the water inlet.
3. Shut off the electric supply at main electrical power source.
4. Take out the ice storage bin to remove remaining ice and water. Dry it.
5. Connect the drain hose to drain out water completely, then plug up the drain outlet after finishing.
6. Pull off the drainage tube of the water trough to drain off all water.
7. Leave the door open to allow for circulation and to prevent mold and mildew.
8. Leave water supply line and power cord disconnected until ready to reuse.

IMPORTANT:

- Do not touch the power plug when your hands are wet.
- Never unplug the unit by pulling on the plug.

CLEANING AND MAINTENANCE

CAUTION

If the ice maker is left unused for a long time, before the next use it must be thoroughly cleaned. Follow carefully any instructions provided for cleaning or use of sanitizing solution. Do not leave any solution inside the ice maker after cleaning.

Periodic cleaning and proper maintenance will ensure efficiency, top performance, and long life. The maintenance intervals listed are based on normal conditions. You may want to shorten the intervals if you have pets, or there are other special considerations.

What Should Not Be Done

Never keep anything in the ice storage bin other than ice: objects like wine and beer bottles are not only unsanitary, but the labels may slip off and plug up the drain.

What Parts Should Be Kept Clean

There are 5 things to keep clean:

1. The exterior
2. The interior
3. The condenser
4. Water distribution tube
5. The ice-making system



WARNING

Before proceeding with cleaning and maintenance operations, make sure the unit's power line is disconnected and the water line is shut off. (EXCEPTION: Cleaning of ice making system).

EXTERIOR CLEANING

The door and cabinet may be cleaned with a mild detergent and warm water solution such as 1 oz of dish washing liquid mixed with 2 gallons of warm water. Do not use solvent-based or abrasive cleaners. Use a soft sponge and rinse with clean water. Wipe with a soft clean towel to prevent water spotting. Stainless steel can discolor when exposed to chlorine gas and moisture. Clean stainless steel with a mild detergent and warm water solution and a damp cloth. Never use an abrasive cleaning agent.

CLEANING AND MAINTENANCE (cont.)

INTERIOR CLEANING

The ice storage bin should be sanitized occasionally. Clean the trough before the ice maker is used for the first time and reused after stopping for an extended period of time. It is usually convenient to sanitize the trough after the ice-making system has been cleaned and the storage bin is empty.

1. Disconnect the power to the unit.
2. Open the door and take out the removable ice storage bin. With a clean cloth, wipe down the interior of the unit with a sanitizing solution made of 1 ounce of household bleach and 2 gallons of hot water (95°F to 115°F).
3. Rinse thoroughly with clear water.
4. Connect a hose to the drain outlet at the rear of the unit to drain water completely.
5. Put the ice storage bin inside the unit.
6. Reconnect power to the unit.

The ice scoop should be washed regularly. Wash it just like any other food container.



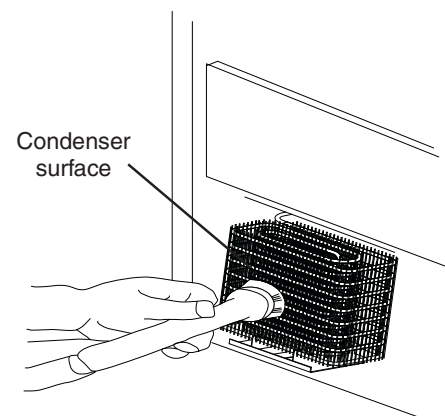
WARNING

DO NOT use solvent-based cleaning agents or abrasives on the interior. These cleaners may transmit taste to the ice cubes and damage or discolor the interior.

CONDENSER CLEANING

A dirty or clogged condenser prevents proper airflow, reduces ice making capacity, and causes higher-than-recommended operating temperatures that may lead to component failure. Have the condenser cleaned at least once every six months.

1. Unplug the ice maker or disconnect power.
2. Remove the 2 screws on the front cover and gently pull it off.
3. Remove dirt and lint from condenser and the unit compartment with a brush attachment on a vacuum cleaner.
4. Reassemble the front cover.
5. Plug in the ice maker or reconnect power.



CLEANING AND MAINTENANCE (cont.)



WARNING

DO NOT touch the condenser fins.
They are sharp and can be damaged easily.

WATER DISTRIBUTION TUBE CLEANING

When you find that the ice cubes are incompletely formed or the output of ice cubes is low, the water distribution tube may be blocked. Set the Power switch to OFF, gently take out the water distribution tube, and locate the holes in the distribution tube. Using a toothpick or similar tool, dredge the holes, then put the water distribution tube back to its original position. If the tube is badly blocked, clean it as follows:

1. Shut off the water supply.
2. Disconnect the water hose from the distribution tube.
3. Gently take out the distribution tube.
4. With a brush, clean the tube with a dilute solution of warm water and a mild detergent such as dish washing liquid. After removing the dirt and lint from the surface, rinse the tube with clean water.
5. Replace the distribution tube.
6. Reconnect the water supply.

ICE-MAKING SYSTEM CLEANING

Minerals that are removed from water during the freezing cycle will eventually form a hard, scaly deposit in the water system. Cleaning the system regularly helps remove the mineral scale buildup. How often you need to clean the system depends upon how hard your water is or how effective your filtration may be. With hard water of 15 to 20 grains/gal. (4 to 5 grains/liter), you may need to clean the system as often as once every 6 months.

1. Make sure that all the ice is off the evaporator. If ice is being made, wait until the cycle is completed, then turn the machine OFF at the Power switch.
2. Remove all ice from the storage bin.
3. Keep the ice maker connected to the water supply. Pour 8 oz. of Nickel-Safe Ice Maker Cleaner Solution into the water trough. After about 5 minutes, set the Power switch to ON. At the same time press the Clean switch on the front of the unit, and the Clean indicator light will light, then initiate the Cleaning cycle. The machine will run the Automatic Clean Mode.

Note: The unit will automatically shut down the Cleaning program after 30 minutes, or you can stop it by pressing the Clean switch again, and the machine will automatically progress to the ice-making stage.

CLEANING AND MAINTENANCE (cont.)

4. Allow 20 minutes for proper cleaning. After cleaning, turn the machine OFF at the Power switch. Drain off the waste water to a container by means of the drain hose at the front of the water trough.

Note: Do not drain off the waste water to the inside of the cabinet.

5. Repeat steps 3 and 4 (without Ice Maker Cleaning Solution) 3 times to rinse the ice making system.

Note: The use of the Ice Maker Cleaner Solution in the water bin during the rinse is not needed.



WARNING

The ice machine cleaner contains acids.

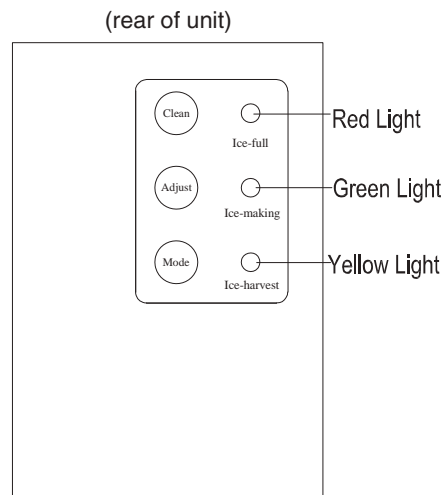
DO NOT use or mix with any other solvent-based cleaner products.

Use rubber gloves to protect hands. Carefully read the material safety instructions on the container of the ice machine cleaner.

DISCARD the first batch of ice produced after cleaning.

6. Prepare a sanitizing solution made of 1 ounce of household bleach and 2 gallons of hot water (95° to 115°F). Wipe the entire bin inside and outside, covering the entire surface of the walls.
7. Fill a spray bottle with the sanitizing solution and spray all corners and edges making sure to cover all surfaces with the solution.
8. Allow the solution to be in contact for at least 3 minutes, then dry.
9. Repeat step 5 to rinse the ice-making system one more time.
10. Set the Power switch to the ON position. The machine will return to the regular ice-making mode. Discard the first batch of ice.

CONTROL BOX



Descriptions of LEDs and buttons

1. Red LED: Ice Full indicator light.

When this LED is lit, the ice storage bin is full of ice or there is something between the two arms of the ice-full sensor in the ice storage bin. The unit will stop working. When ice cubes are taken out of the ice storage bin, clearing the sensor, the red LED will keep flashing for 3 minutes. Then the unit will restart and return to the ice making mode.

2. Green LED: Ice Making indicator light.

When this LED is lit, the unit is working in the Ice Making mode controlled by a temperature probe on the evaporator. When the green LED is flashing, the unit is working in the Ice Making mode controlled by a fixed timer.

3. Yellow LED: Ice Harvest indicator light.

When this LED is lit, the unit is working in the Ice Harvest mode controlled by a temperature probe on the evaporator. When the yellow LED is flashing, the unit is working in the Ice Harvest mode controlled by a fixed timer.

4. CLEAN button: When this button is pressed, the unit enters the Cleaning mode. The green and yellow LEDs flash together. To stop the Cleaning mode, just press the button again.

5. MODE button: Mainly for service. When this button is pressed, unit can change from Ice Making mode to Ice Harvest mode, or from Ice Harvest mode to Ice Making mode. You can judge the mode from the status of the green and yellow LEDs.

6. ADJUST button: Mainly for service. When this is pressed over 3 seconds, the unit will enter the Ice Size Adjustment mode. The mode can be judged from the status of the green LED.

Ice Size Adjustment Guide:

a. Press and hold the ADJUST button for at least 3 seconds. The unit will enter the Ice Size Adjustment mode. The ICE MAKING LED (green), or all 3 LED lights, will be blinking continuously during the ice size adjustment (depending on the current mode the ice size is set at). Release the button when the LED(s) blink continuously to adjust the ice size.

b. While in the Ice Size Adjustment mode, press the CLEAN button or the MODE button for the desired ice size.

CLEANING AND MAINTENANCE (cont.)

Smaller Ice Setting:

By pressing the CLEAN button, you can decrease the size of the ice cubes. The ICE FULL LED (red) will flash as you lower the ice size and will finally be blinking at the setting of smallest ice size. 5 small settings are available [below the regular (middle) setting].

Larger ice setting:

By pressing the MODE button, you can increase the size of the ice cubes. The ICE HARVEST LED (yellow) will flash as the larger size is set and will blink when the setting of largest ice size has been reached. 5 Large settings are available [above the regular (middle) setting].

After 10 seconds without any operation, the unit will automatically memorize the current state and return to the previous mode.

Note: During the ice size adjustment, the "ICE FULL", "ICE MAKING" and "ICE HARVEST" LEDs blinking all at once indicate that the unit is in the regular (middle) setting of the ice size.

Note: When the machine is in the cleaning stage or ice full stage, the ice size is not available for adjusting.

MAJOR FUNCTIONS

1. Completely automatic operation
2. When the ice storage bin is full of ice, the machine stops making ice automatically. It starts making ice again once the cubes are removed.
3. The different colors of the LED display indicate various work modes.
4. A sensitive probe and accurate timer enhance the performance of the ice maker.
5. Built-in compressor protection system

TROUBLESHOOTING

Before Calling for Service

If the unit appears to be malfunctioning, read through the OPERATION section of this manual first. If the problem persists, check the Troubleshooting Guide below and on the following page. The problem could be something very simple that can be solved without a service call.

PROBLEM	POSSIBLE CAUSE	CORRECTION
The machine doesn't operate	<ol style="list-style-type: none"> 1. The ice maker is unplugged 2. The fuse is blown 3. The Power switch is set at OFF 4. The ice storage bin is full of ice 	<ol style="list-style-type: none"> 1. Plug the ice maker in. 2. Replace fuse – if this happens, call for service to check for a short circuit in the ice maker. 3. Turn the Power switch to ON. 4. Remove some ice, making sure the ice-full probe is free of ice.
The water doesn't feed in after the machine starts	<ol style="list-style-type: none"> 1. The water supply tap is turned off 2. The water supply line is not properly connected 	<ol style="list-style-type: none"> 1. Turn on the water supply tap. 2. Reconnect the water supply line.
Machine makes ice, but ice storage bin does not fill up with ice	<ol style="list-style-type: none"> 1. Condenser may be dirty 2. The air flow to the ice maker may be obstructed 3. The ambient temperature and water temperature are high, or machine is near some heat source 	<ol style="list-style-type: none"> 1. Clean the condenser. 2. Check the installation. 3. Check the installation.
Water is leaking from the unit	<ol style="list-style-type: none"> 1. A few water drops fall to the floor when you open the door to take out ice from storage bin 2. Water supply connection leaking 	<ol style="list-style-type: none"> 1. Normal condensation on the door or some water together with ice. Take care when you take out ice. 2. Tighten fitting. See CONNECTING THE WATER LINE.

TROUBLESHOOTING (cont.)

PROBLEM	POSSIBLE CAUSE	CORRECTION
<p>Cubes are partially formed or are white at the bottom</p>	<p>1. Not enough water in the water trough</p>	<p>1. Check if the water supply pressure is below 15 psig. Check water supply; filter may be restricted. Check for a water leak at the water trough.</p>
<p>Noise during operation</p>	<p>1. The legs are not leveled and locked 2. Certain sounds are normal</p>	<p>1. Level and lock the feet. See LEVELING THE ICE MAKER. 2. See NORMAL SOUNDS.</p>
<p>The ice maker stops suddenly while making ice</p>	<p>1. The electricity is off 2. The room temperature is out of the stated range 3. The ice storage bin is full of ice</p>	<p>1. Reconnect the power supply line. 2. Cut off the electricity; let the ice maker stop working until the temperature returns to within the stated range. 3. Remove some ice; be sure ice-full probe is free of ice.</p>
<p>The body of the ice maker is electrified</p>	<p>1. The ground line isn't in the socket</p>	<p>1. Use a socket meeting the required electrical standard.</p>
<p>Scaling occurs frequently inside the machine</p>	<p>1. The water is too hard</p>	<p>1. Using a water-softening device installed in front of the water inlet</p>
<p>Water leaks from the ice storage bin</p>	<p>1. The drain hole below the ice storage bin is blocked 2. The drain hose is kinked or improperly placed higher than the floor of the ice storage bin</p>	<p>1. Pull out the ice storage bin and clean the drain hole. 2. Check the drain hose to make sure the water can drain out unhindered.</p>

WARRANTY

ONE-YEAR WARRANTY - Fire Magic® electric accessories are warranted for one year from the date of purchase.

A COPY OF YOUR SALES SLIP FOR PROOF OF PURCHASE IS REQUIRED

This warranty applies to the original purchaser for products which are installed in the United States or Canada and which are operated and maintained as intended for single family residential usage. This warranty is valid only with proof of purchase, shall commence on the date of purchase, and shall terminate (both as to original and any replacement products) on the anniversary date of the original purchase of the product stated on the above schedules.

This warranty covers defects in material and workmanship. This warranty **does not** cover parts which become defective as a result of negligence, misuse, use not in compliance with the Owner's Manual/Installation Instructions, accidental damage, improper handling, improper storage, improper installation, lack of required routine maintenance (as specified in the Owner's Manual/Installation Instructions), electrical damage, local gas impurities or failure to protect against combustibles. Product must be installed (and gas must be connected) as specified in the Owner's Manual/Installation Instructions by a **qualified professional installer**. Modifications to products which are not specifically authorized will void this warranty. Accessories, parts, valves, remotes, etc. when used must be Peterson products or this warranty is void. Warrantied items will be repaired or replaced at Peterson's sole discretion. This warranty **does not** apply to rust, corrosion, oxidation, or discoloration unless the affected part becomes inoperable.

This warranty **does not** cover labor or labor related charges, except as provided by separate specific written programs from the Peterson Co. All repair work must be performed by a qualified professional service person and requires prior approval of Peterson.

Peterson may require the defective product or part to be returned to the factory to determine the cause of failure. Peterson will pay freight charges if the product or part is determined to be defective. This warranty does not cover breakage in shipment from our (Independent) distributor to its customer if the damage is determined to have occurred during that shipment.

This warranty specifically excludes liability for **indirect, incidental**, or consequential damages. Some states and provinces do not allow the exclusion or limitation of incidental or consequential damages, so the above exclusion may not apply to you. This warranty gives you specified legal rights, and you may have other rights that vary from state to state or province.

For additional information regarding this warranty, or to place a warranty claim, contact the R. H. Peterson dealer where the product was purchased.

**TO REGISTER YOUR PRODUCT ONLINE GO TO: WWW.RHPETERSON.COM,
AND CLICK ON PRODUCT REGISTRATION. THANK YOU FOR YOUR PURCHASE.**