

Firebox Liner Kit

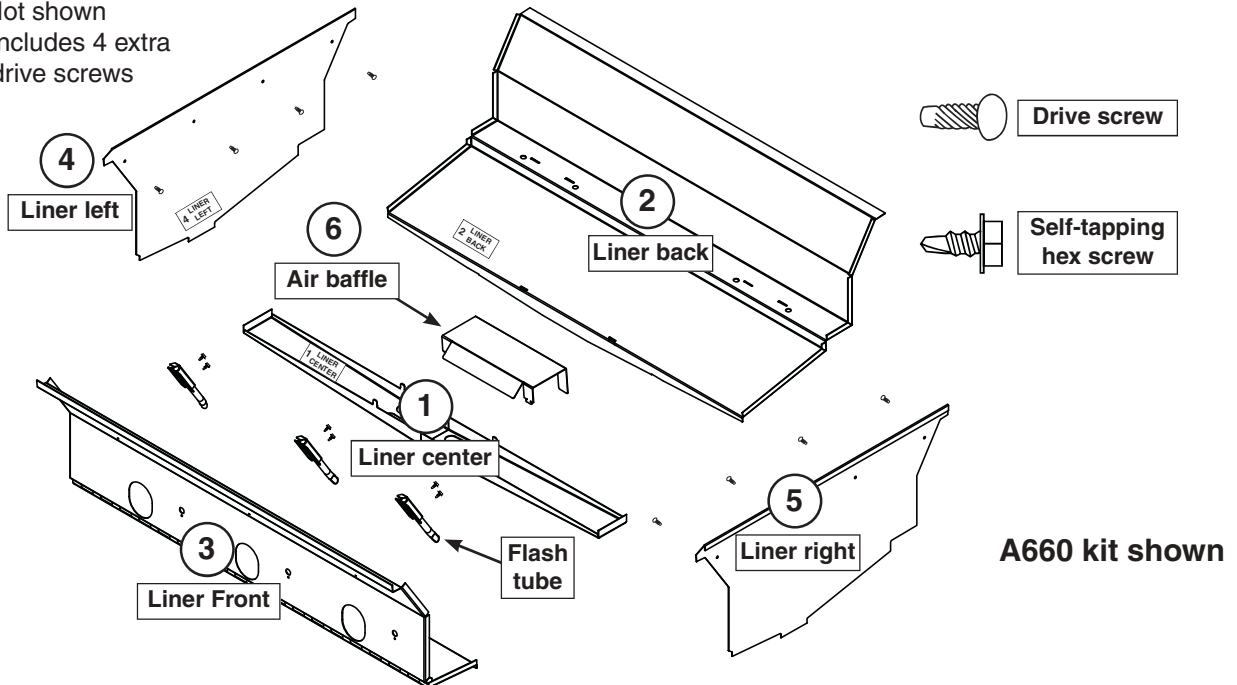
Model # 24180-RLK
 24170-RLK
 24150-RLK
 24125-RLK
 24130-RLK



Model	Part No.	Parts List						
		Firebox liner pieces	Burner igniter *	Flash tube	Air baffle	Drive screw †	Self-tapping hex screw	Flavor grid *
A790	24180-RLK	5	3	3	1	12	6	3
A660	24170-RLK	5	3	3	1	12	6	3
A540	24150-RLK	5	3	3	1	12	6	3
A530	24125-RLK	5	2	2	1	12	4	2
A430	24130-RLK	5	2	2	1	12	4	2

* Not shown

† Includes 4 extra drive screws



This firebox liner kit is for installation on Aurora grills with spark ignition only. Installation on an A660 is depicted in this instruction.

READ THESE INSTRUCTIONS CAREFULLY BEFORE STARTING INSTALLATION.

Tools required: Gloves, Phillips screwdriver, rubber mallet, pliers, needle-nose pliers, hammer, and a 1/4" nut driver (or equivalent).

Be sure the grill is completely cool and the gas is completely shut off.

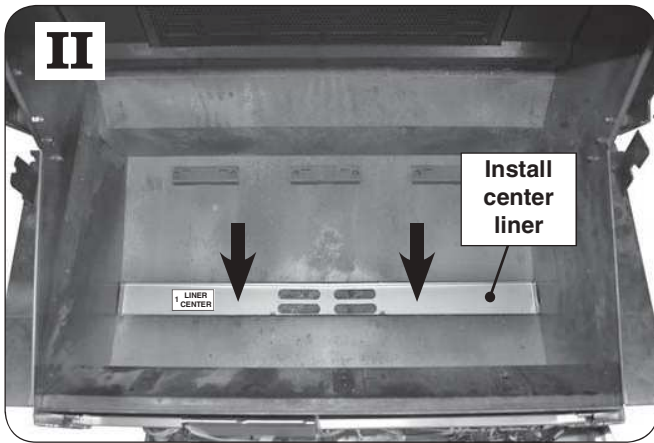
IMPORTANT: CLEAN THE INTERIOR OF THE GRILL OF ALL DEPOSITS AND GREASE PRIOR TO INSTALLING THE FIREBOX LINER KIT.

Note: Wear gloves whenever installing and handling this liner kit as some components have sharp edges.

I Remove the warming rack, cooking grids, flavor grids, burners, burner igniters, I.R. burners (if applicable), I.R. burner igniters (if applicable), air baffle, and flash tubes. Open the control panel. Reference your owner's manual for removal details if needed.

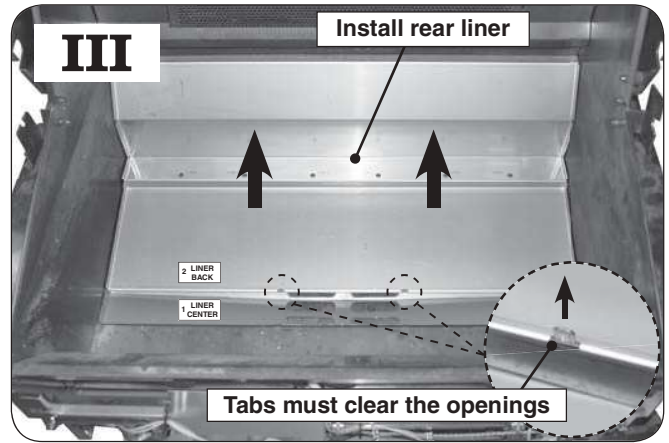
Note: The flavor grids, burner igniters, the air baffle, and flash tubes that are being removed from your grill are no longer needed and may be discarded. The items included in this kit will replace these parts.

ROBERT H. PETERSON CO. • 14724 East Proctor Avenue • City of Industry, CA 91746



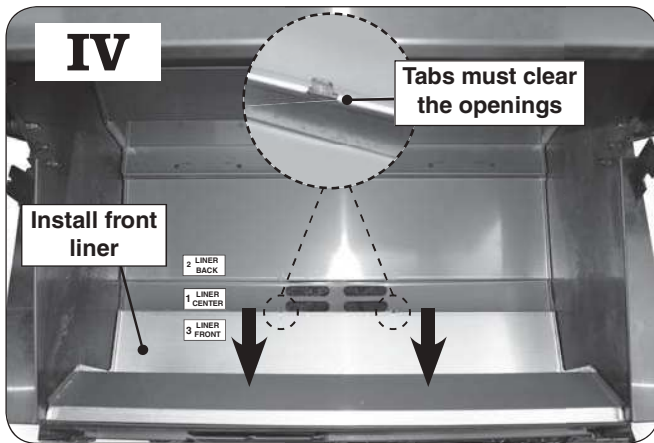
Place the center liner (item 1 of parts list) onto the grill drainage channel. Ensure the liner rests flat in place.

Note: It is recommended to slightly bend the 4 tabs inward to assist in front and rear liner installation.

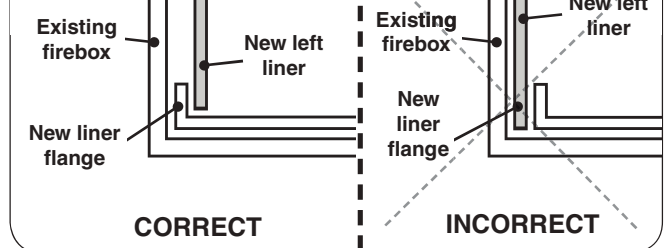
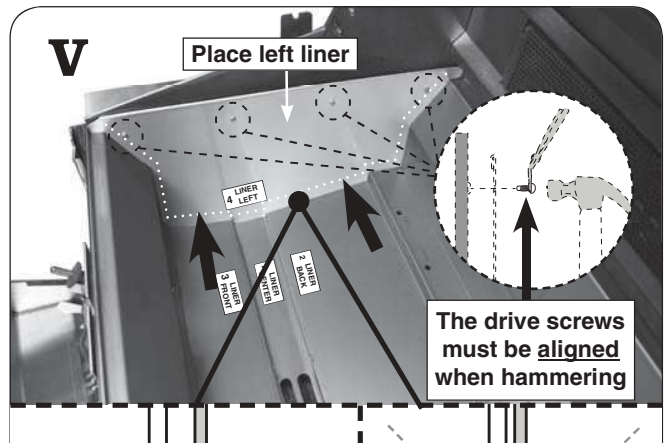


Place the rear liner (item 2) ensuring it rests flat against grill rear firebox wall. The two tabs (on center liner) must extend up through the slots in the rear liner.

Note: If needed, use a rubber mallet to assist in proper placement of liner panels.



Place the front liner (item 3) ensuring it rests flat against the grill front firebox wall, and the two tabs (on center liner) extend up through the slots in the front liner.

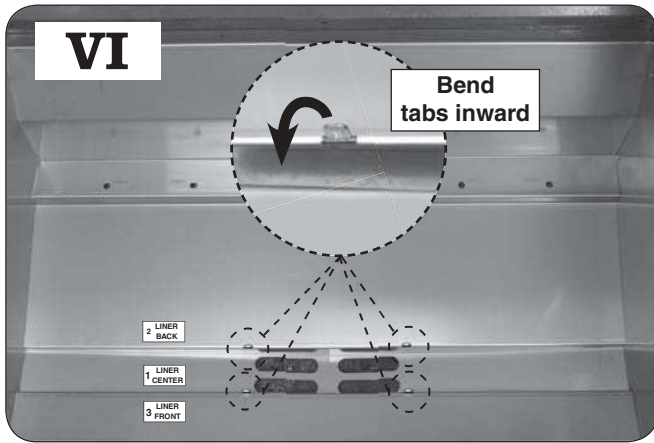


Place the left liner (item 4) as shown above. Rest the liner **OVER** the front and rear liner flanges (hiding the flanges) and ensure the 4 holes are aligned with the 4 grill wall rivets. To secure the liner, align each drive screw (included in kit) with the corresponding hole and carefully hammer each drive screw into the panel. Use needle-nose pliers to assist in holding the drive screws properly.

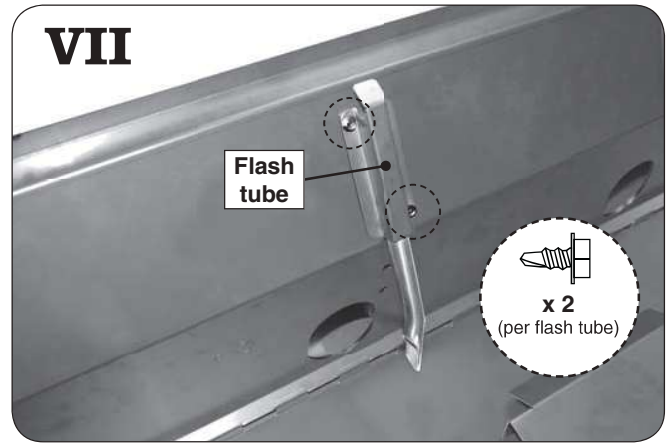
Note: The drive screw will force out the center of the existing rivet. Therefore, ensure to use ample force when driving the screw through the retaining rivet.

REPEAT THIS STEP FOR THE RIGHT LINER (item 5).

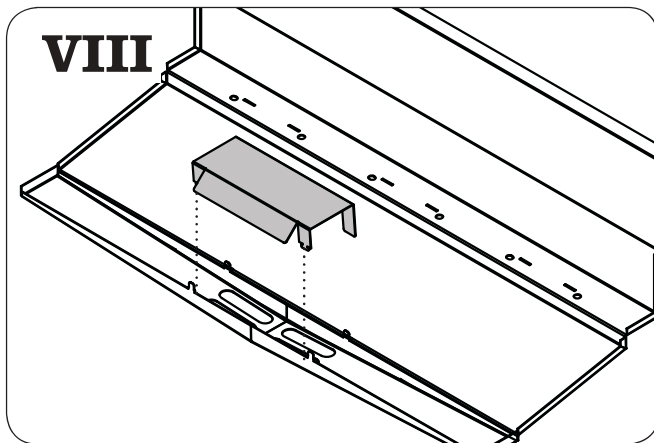
Procedure continued on next page



Using pliers, bend in the four tabs inward toward the middle of the center liner to lock the liner panels together.



Install the new flash tube by aligning the flash tube over the original liner mounting holes. Using a 1/4" nut driver, affix the flash tube with the supplied hex screws. Repeat this procedure for the other flash tubes.



Place the air baffle as shown above. To properly install, the tabs must slide into the slots located on the liners.

IX

Install the new igniters, then re-install the burners, infrared burner igniters (if applicable), infrared burners (if applicable), new flavor grids, the control panel, cooking grids, and warming rack. Refer to your owner's manual for installation details if needed.

NOTES PAGE

Please use this page to record any information about your unit that you may want to have at hand.