

# Stainless Steel Firebox Liner Kit



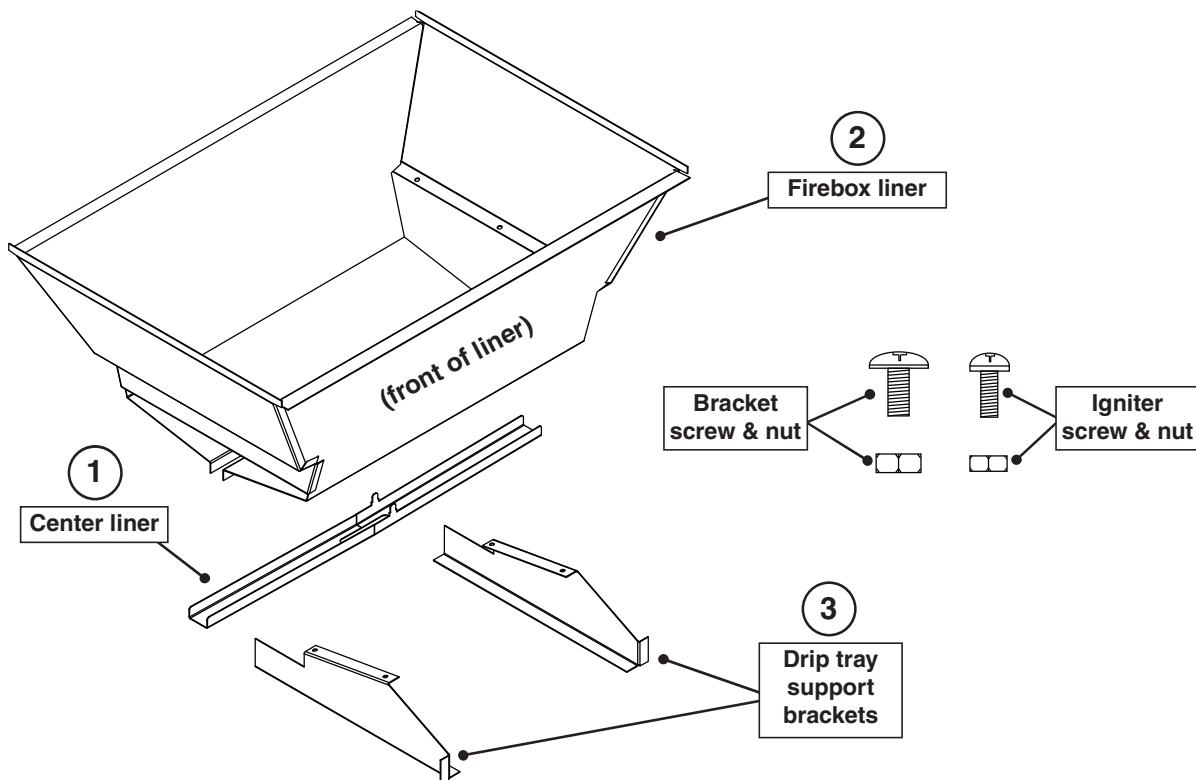
Model # 3122-01

## DELUXE

Parts List								
	Firebox liner pieces	Drip tray support bracket	Flavor grid *	Igniter assy *	Bracket screw	Bracket nut	Igniter screw	Igniter nut
Qty	2	2	1	2	4	4	2	2

\* Not shown

Table 1



This firebox liner kit is for installation on **Deluxe 11 Series and 21 Series grills**.

**READ THESE INSTRUCTIONS CAREFULLY BEFORE STARTING INSTALLATION.**

**Tools required:** Gloves, Phillips screwdriver, power drill, 3/16" drill bit, pliers, needle-nose pliers, hammer, and a 1/4" nut driver (or equivalent).

Be sure the grill is completely cool and the gas is completely shut off.

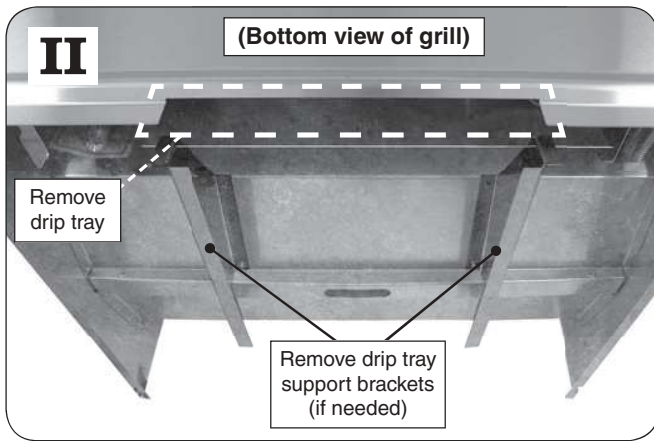
**IMPORTANT: CLEAN THE INTERIOR OF THE GRILL OF ALL DEPOSITS AND GREASE PRIOR TO INSTALLING THE FIREBOX LINER KIT.**

**Note: Wear gloves whenever installing and handling this liner kit as some components have sharp edges.**

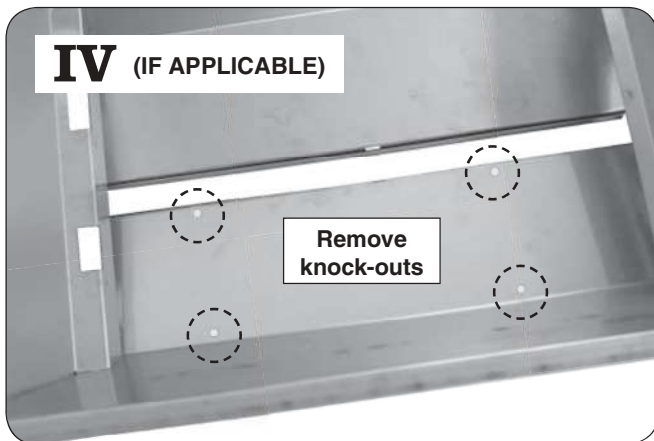
**I** As applicable, remove the grill oven hood, cooking grids, flavor grid, burners, and burner igniters. Reference your owner's manual for removal details if needed.

**Note:** The flavor grid and burner igniters (including screws and nuts) that are being removed from your grill are no longer needed and may be discarded. The items included in this kit will replace these parts.

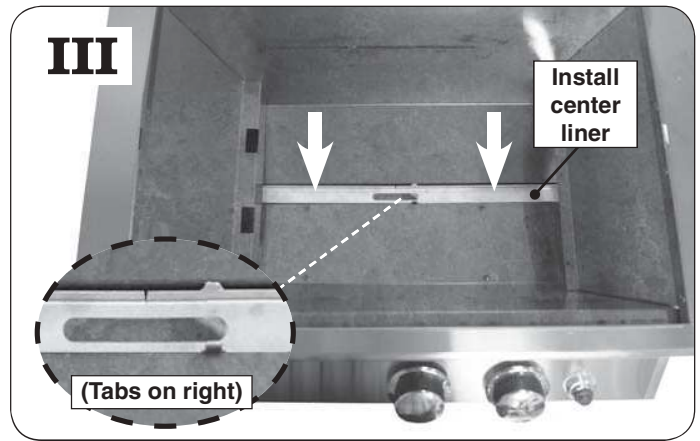
ROBERT H. PETERSON CO. • 14724 East Proctor Avenue • City of Industry, CA 91746



The drip tray brackets (beneath the grill) support the drip tray and are fastened with rivets. If they no longer provide proper support, remove the drip tray and brackets. Use any necessary tools to remove the brackets.



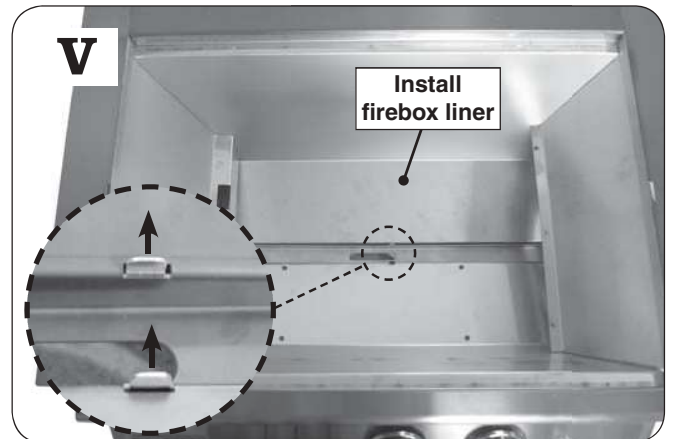
If installing the drip tray support brackets, remove the four knock-outs located on the front floor panel of the firebox liner. The support brackets will be installed later.



Place the center liner onto the grill drainage channel. Ensure it rests flat against the original grill drainage channel.

**Note:** When installing, ensure the tabs are on the right side of the center liner.

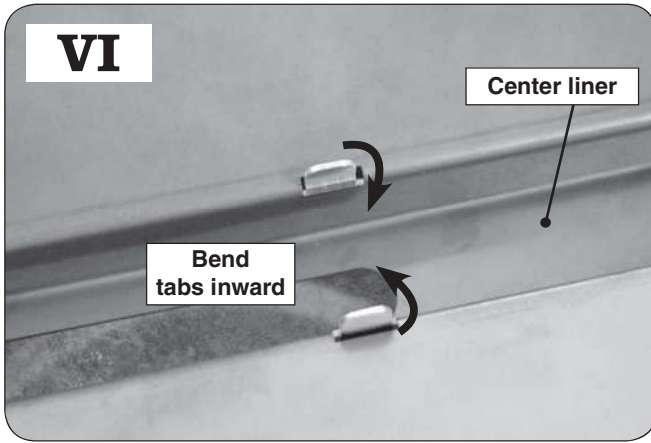
**Note:** It is recommended to slightly bend the 2 tabs inward to assist in firebox liner installation.



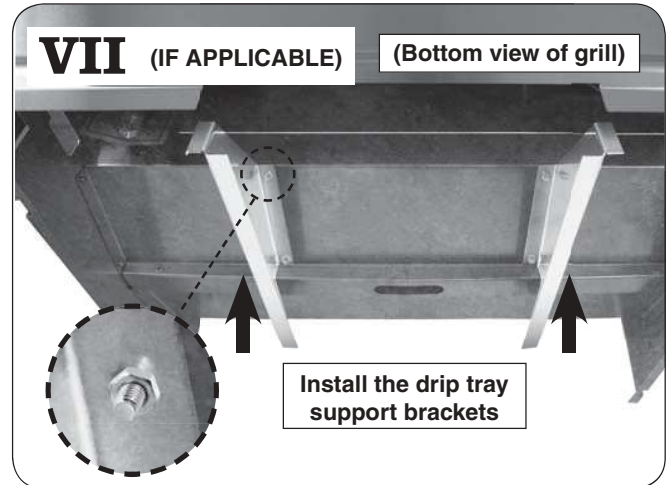
Place the firebox liner into the grill interior ensuring it rests flat against the original grill firebox walls. The two tabs (on center liner) must extend up through the slots on the firebox liner.

**Note:** If needed, loosen the two control panel screws to allow the firebox liner to properly rest in place. Re-tighten the screws once the liner is in place.

Procedure continued on next page



Using pliers, bend the two tabs inward to lock the liner panels together.



**If installing the drip tray support brackets**, slide the grill out from the enclosure cut-out. Reference your owner's manual for removal details if needed.

Locate the bracket holes on the new firebox liner (from beneath the grill) and install the two brackets using the provided screws and nuts.

**Note:** Pre-drilling holes may be necessary when installing the screws to fasten the brackets.

## VIII

Re-install the grill to the countertop opening (if applicable). Install the new igniters, the burners, the new flavor grid, the cooking grids, and oven hood (if applicable).

---

**NOTES PAGE**

---

Please use this page to record any information about your unit that you may want to have at hand.